



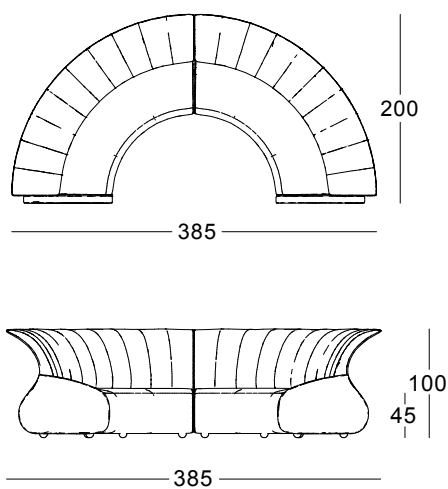
Technical description:

Plywood and hardwood construction covered with different density HR foam and latex.

Hidden polyurethane feet.

Not removable cover.

ECLP002
385x200x100/45



ECLP001
385x340x100/45

